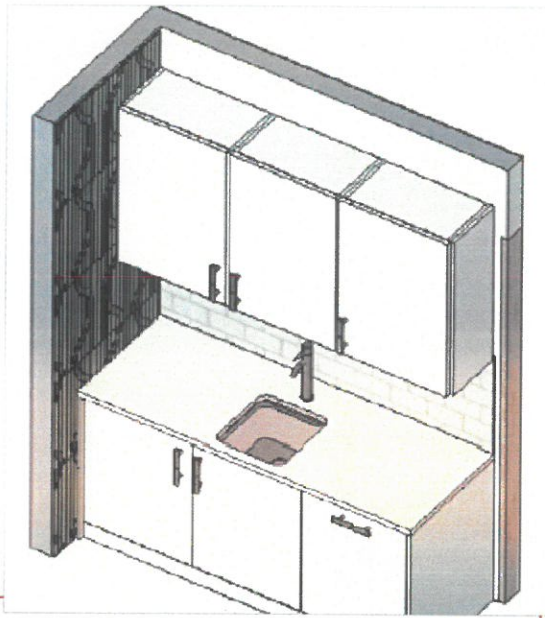


Joinery J07- Mothers Room Cabinet

ITEM G ON THE LIST
QTY 1

- ADJUSTABLE SHELVES TO ALL CABINETS
- JF05 LAMINATE WITHIN THE CARCASS
- JF07 Handles.



FINISHES	
JF01 Colour: W1000 ST9 Premium White Laminate Finish	
JF06 Colour: D0100-50 Thickness: 12mm Solid Surface	
JF07 Range: Mode Cabinet 'T' Pillared Pull Handle Colour: Stainless Steel Size: 128mm centers Handles	
JF05 Laminate Finish: WITHIN THE CARCASS	



www.wood-styles.com

Copyright of designs shown herein is retained by this office.
Authority is required for any reproduction.
© Copyright Wood-styles Ltd.

Nigeria, Lagos +234 80 9037 9888
Email: info@wood-styles.com

Project
Citi contracting
TetraPak Project

Owner

Date	Description
DSD-V1-ID-2/10/2024	- REV1
DSD-V1-ID-9/11/2024	- REV2
DSD-V1-ID-5/12/2024	- REV3
DSD-V1-ID-16/1/2025	- REV4



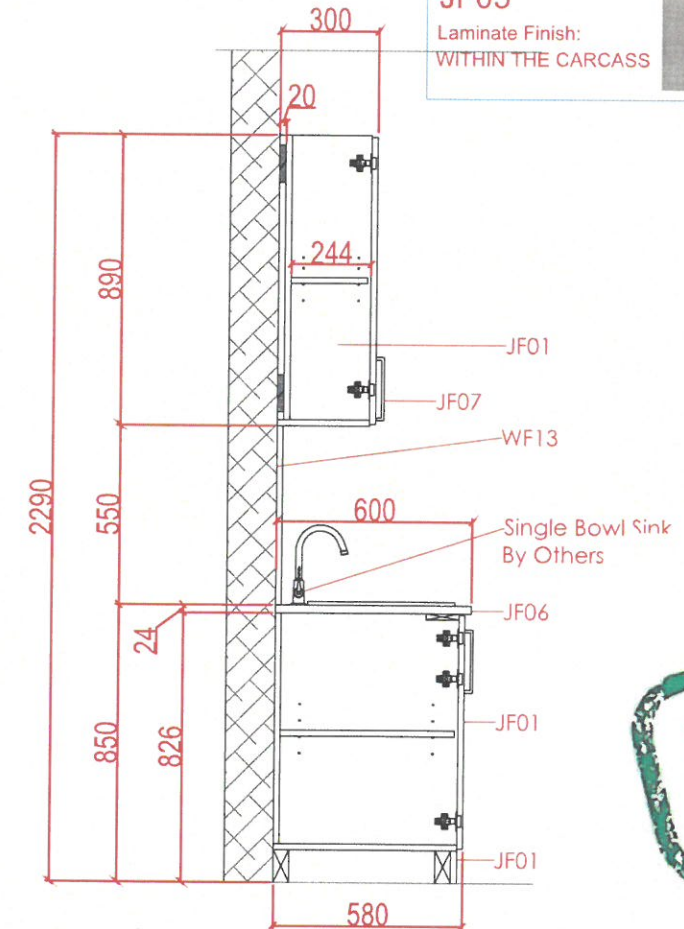
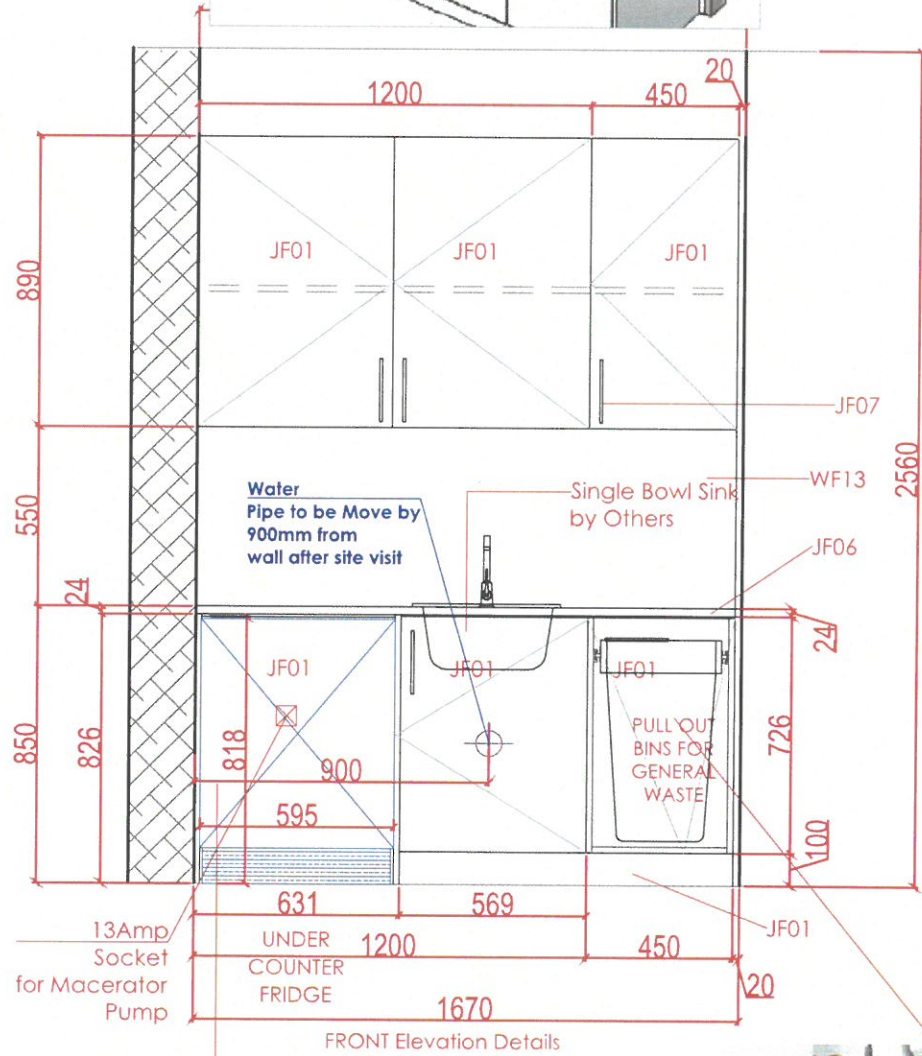
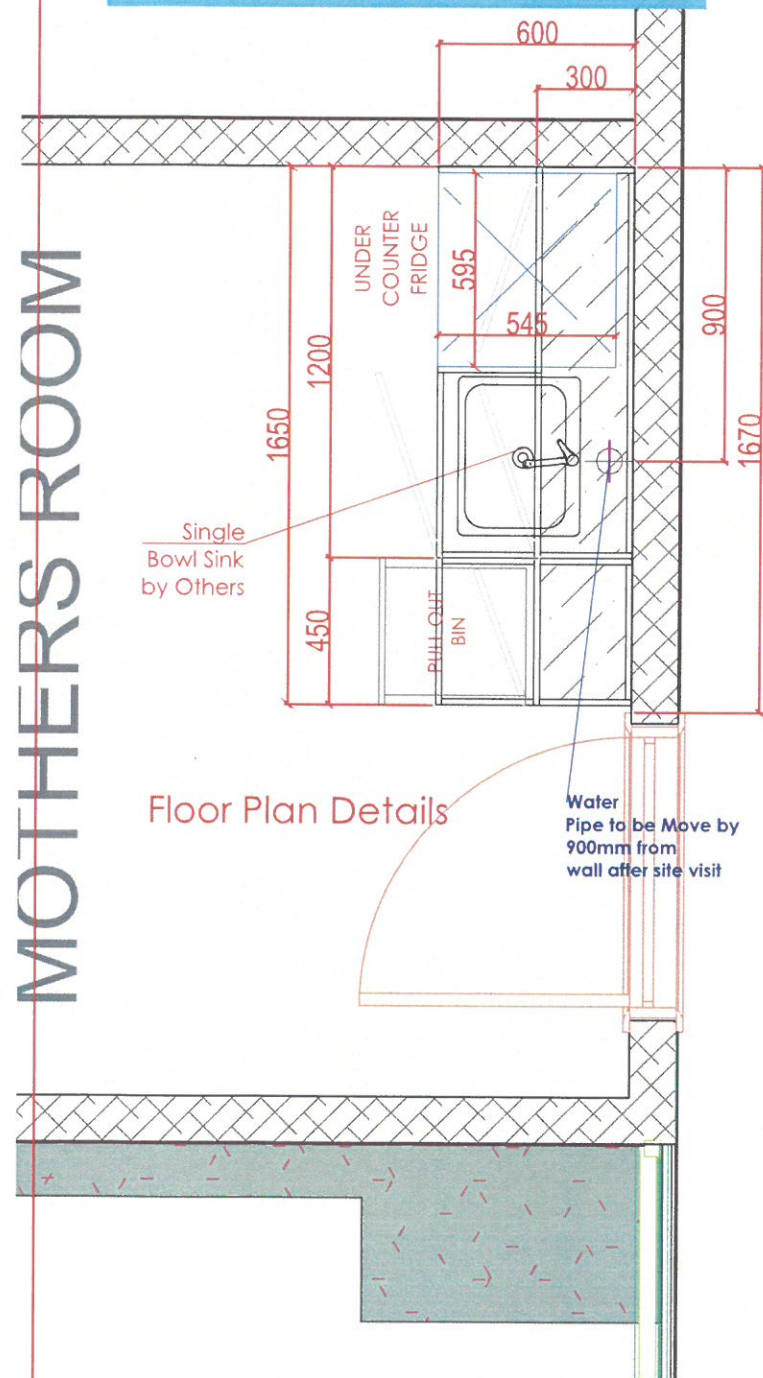
FOR APPROVAL

Project No. : ---
Scale : N/A
Drawn by : OBJ
Checked : OBJ
Cad File : CAD_FILE

Sheet title
J07- Mothers Room Cabinet
Floor Plan , Elevation and Sectional Details

Dwg No. : **WS-DS-SD-TP-010**
No. : **SHEET 1**

MOTHERS ROOM



Water Pipe to be Move by 900mm from wall after site visit

Water Pipe to be Move by 900mm from wall after site visit

Single Bowl Sink by Others

Single Bowl Sink by Others

Single Bowl Sink By Others

UNDER COUNTER FRIDGE

PULL-OUT BIN

13Amp Socket for Macerator Pump

UNDER COUNTER FRIDGE

UNDER COUNTER FRIDGE

Single Bowl Sink By Others

PULL-OUT BINS FOR GENERAL WASTE